

# Temp-1Wire calibrated - Temperature sensor

Calibrated digital temperature sensor for indoor usage. The sensor is designed for using with the Poseidon, Ares, HWg-STE and other HW group products.

You can have several parallel sensors on one RJ11 sensor port. Each one sensor is identified by a unique serial number.

Sensor delivered with 3 points calibration sheet.



Each Temp-1Wire calibrated sensor can be calibrated in up to 8 points. Use the “1W-UNI USB calibrator” USB-RJ11 with the “HWg-UniCalibrator” Windows software.

## Technical parameters

- **Sensor measured range**                    **-10°C to +80°C**
- Temp. sensor resolution                    0.1 °C
- Temp. measuring accuracy                **± 0.3 °C** in range from -10°C to +75°C
  
- Communication                              1-Wire bus (Data, GND, +5V) - RJ11
- Storage temperature range                -30°C to +80°C

## Sensors & Accessories



**Temp-1Wire Calibrated 3m**



**1W-UNI USB calibrator**



**T-Box2**



**T-Box**

## Using the Calibrator

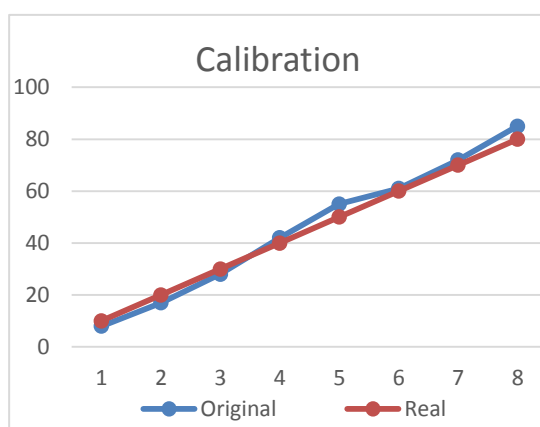
The "1W-UNI USB calibrator" contains the USB-RJ11 dongle and HWg-UniCalibrator software. Download it: <http://new.hwg.cz/download/sw/version/HWg-UniCalibrator.exe>

The dongle has to be connected to the PC before you launch the HWg-Calibrator software.

After connecting any 1-Wire UNI sensor to a converter, it is necessary to search for the connected sensors first by pressing the Scan button. The bus is then scanned and all discovered sensors are shown. It is also possible to activate an Autoscan option, which would then repeatedly scan for sensors every 10 seconds.

After clicking on a sensor name, details listed below are shown.

	From	To
1	8	10
2	17	20
3	28	30
4	42	40
5	55	50
6	61	60
7	72	70
8	85	80

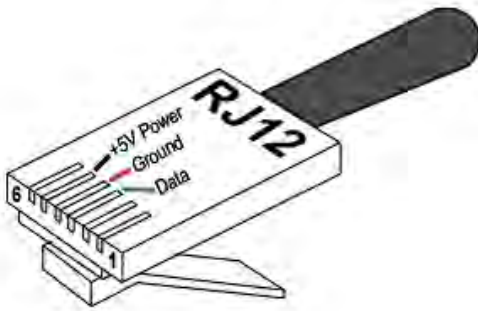


### Calibration Points

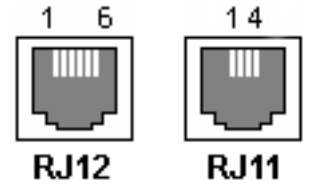
Determines an interpretation of the final value

- **From**  
input value from the external sensor
- **To** – output value.

# Connectors



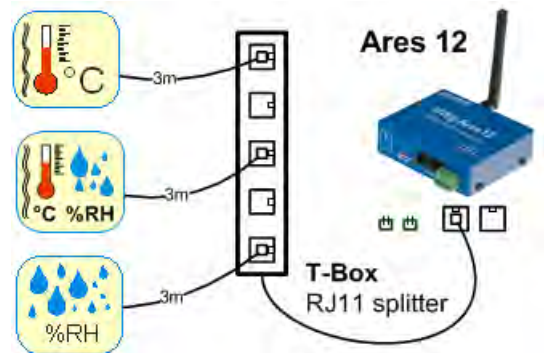
RJ12	RJ11			
3	2	Data	<->	Data 1-Wire
4	3	GND	---	System Ground
5	4	+5V	---	Power supply



## Sensors wiring examples

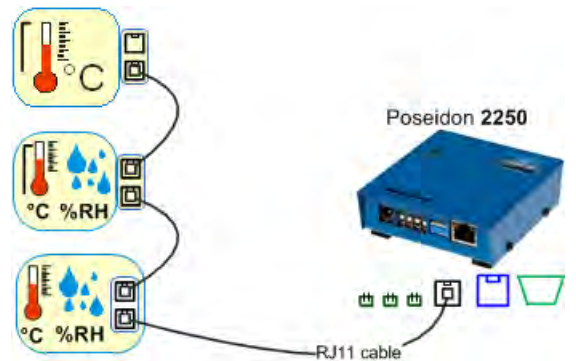
### Star topology – 60m in total:

You can use the T-Box or T-Box2 splitters to connect more sensors to one device active port.



### Daisy-chained – 60m in total:

There are **two** RJ11 female connectors on some sensors.



### 4x active port, 4x60m:

